

Smart Thermostat User Guide



The thermostat is suitable for electric heating temperature control systems. Please confirm that this product is suitable for your heating equipment before installation.

Thank you for purchasing our products, please read the following terms before installation and use:

1. Before installation, please make sure to keep the power off.
2. Please arrange for professionals to install.
3. Please strictly follow the wiring diagram for wiring installation; installation to the wall, and the neutral line and the live line should not be reversed to avoid damaging the temperature controller.
4. If a hard plastic wire is used in the installation process, it must be bent to an appropriate angle in advance.
5. The installation position should be about 1.4m away from the ground, away from other heat sources or flowing air like direct sunlight, wind which is representative of room temperature.
6. Load shall be provided according to the marked current and overload is prohibited.
7. Please contact the after-sales service for equipment failure, please do not try to repair it yourself.
8. When the temperature control panel works, it needs stable power supply support. Abnormal power failure and instantaneous power supply flash off may cause the temperature control panel to close or not work normally. No matter what kind of power failure, the power supply system may stop working. Therefore, when the panel is closed during normal heating, please start the temperature control panel in time to enter the working state.
9. The temperature control panel has the function of automatic memory, which can automatically switch to the working state before power failure when the power supply is cut off again. The temperature control system equipped with electric actuator can keep heating and cut off heating when power is off, which should be selected according to actual needs.

Warning: the wiring must be correctly connected according to the electrical wiring diagram. Do not put water, mud and other impurities into the thermostat, otherwise it will cause damage to the device!

FEATURES

On Appearance

1. Convenient operation creates convenient life.
2. Touch screen display with backlight is easy to read, even in the dark.
3. Fashion design blends in with any decor

On Functionality

1. 0.5°C Accuracy keeps temperature within the level you set.
2. Data memory when power is off.
3. 5+2 six periods programmable maximize comfort and economy.
4. Croat thermostat group to centralized control. Integrated with Amazon Echo, Google Home, Tmall Genie.

TECHNICAL DATA

Power Supply: 110-240VAC, 50-60HZ

Current Load: 16A

Sensor: NTC thermistor

Accuracy: $\pm 0.5^{\circ}\text{C}$

Timing Error: <1%

Set Temp. Range: 5-50°C

Display Temp: -9-50°C

Power Consumption: <1W

Buttons: Capacitive Touch Buttons

Screen: LED screen

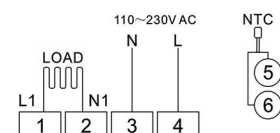
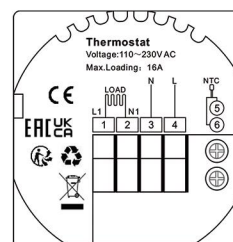
Shell Material: PC+ABS(flame retardant)

Ambient Temp./Humidity: 5~95%RH (non condensing)

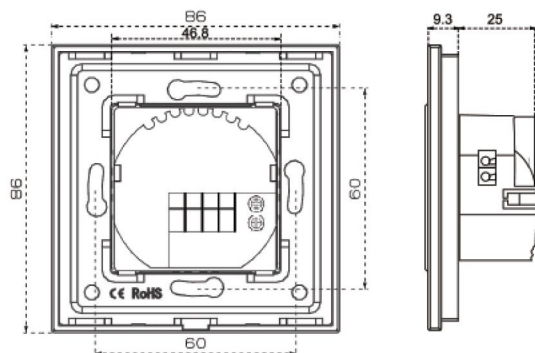
In the box you will find

1. Thermostat 1 pc
2. Screws 2pcs
3. User Guide 1pc
4. Floor Sensor 1pc (Floor sensor is Optional)

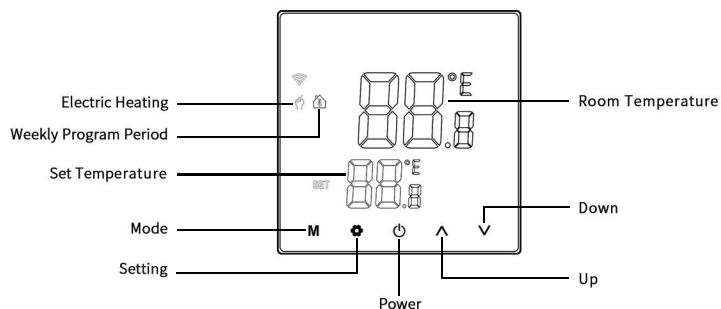
WIRING



DIMENSION(mm)



SHOW DESCRIPTION



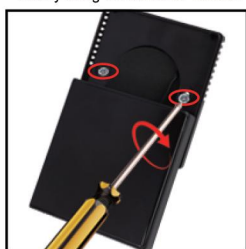
INSTALLATION

Keep power off before installation

Step 1. Remove the panel from the housing by using a screwdriver



Step 2. Mount the device to your flush-mounted box by using the delivered screws.



Step 3. Hook the panel back into the housing and press it until you hear a click and the panel is firmly seated on the housing.



Step 4. Finish mounting and ready for working.



INSTRUCTIONS

- Power on/off: press to turn the thermostat on/off.
- Temperature setting: When power is on, press the key to decrease the setting temperature, and press the key to increase the setting temperature. The temperature changes by 0.5°C each time the button is pressed.
- Children Lock
When the power is turned on, press and hold the and same time for 5seconds to lock or unlock your thermostat.
- Working Mode
When the power is turned on, press and hold the **M** key 5S to enter sleep mode. Click the **M** key to have a manual mode and appears. Click the **M** key again to switch to the automatic mode and the appears and the automatic mode carries the weekly programming function, and the appears to control the temperature in six different periods:

Advanced options table.

Code	Function	Adjust parameters using or	Default value
01	Running mode	000 Floor heating	000
02	Built in temperature correction	-9~9°C	000
03	External temperature correction	-9~9°C	000
04	Humidity correction	-20~20%	000
05	Start up temperature difference	00.5-0.50°C	00.5
06	Low temperature protection	005-010°C "--"	"--" off
07	External temperature protection	"--" 025-099°C	050
08	Sensor Type	In: internal Sensor RL: internal&External Sensor (internal sensor to control the temp., external sensor to limit the temp.	000
09	Screen time	005~100s	015
10	Power down and restart	000: Shut down 001:Power on 002:memory	002
11	Minimum set point	005~035	005
12	Maximum set point	035~099	050
13	Backlight brightness	000~007	000
14	Weekly Pregame on/off	000: off 001: on	000
15	Buttons Lock Option	000: In the locked state, pressing any key locks the device except for the power button 001: All keys locked	000
16	Restore factory settings	000: off 001: on	000

Alarm code	content
ERR	temperature probe sensor damaged

- 1st program period: Get up at morning
- 2nd program period: leave home at morning
- 3rd program period: go home at noon
- 4th program period: leave home at noon
- 5th program period: go home at evening
- 6th program period: go to bed at night

- Advanced Options
When the power is turned off, press **M** and 5seconds to enter advanced options. Press **M** button to set the menu, and to change the data.



APP

Wifi connection operation instructions

After power on, the thermostat will be on pairing status (WIFI icon flashing quickly). If not flashing, please press the icon for about 5seconds.

Add device----Enter Wi-Fi information (input your WiFi and password)----Waiting and Add successfully

