

Smart Thermostat User Guide



The thermostat is suitable for electric heating, water heating, wall- hung boilers and boiler temperature control systems, and can be used in smart homes, shopping malls, and industrial operations. Please confirm that this product is suitable for your heating equipment before installation.

Thank you for purchasing our products, please read the following terms before installation and use:

1. Before installation, please make sure to keep the power off.
2. Please arrange for professionals to install.
3. Please strictly follow the wiring diagram for wiring installation; installation to the wall, and the neutral line and the live line should not be reversed to avoid damaging the temperature controller.
4. If a hard plastic wire is used in the installation process, it must be bent to an appropriate angle in advance.
5. The installation position should be about 1.4m away from the ground, away from other heat sources or flowing air, like direct sunlight, wind which is representative of room temperature.
6. Load shall be provided according to the marked current and overload is prohibited.
7. Please contact the after-sales service for equipment failure, please do not try to repair it yourself.
8. When the LCD temperature control panel works, it needs stable power supply support. Abnormal power failure and instantaneous power supply flash off may cause the temperature control panel to close or not work normally. No matter what kind of power failure, the power supply system may stop working. Therefore, when the panel is closed during normal heating, please start the temperature control panel in time to enter the working state.
9. The LCD temperature control panel has the function of automatic memory, which can automatically switch to the working state before power failure when the power supply is cut off again. The temperature control system equipped with electric actuator can keep heating and cut off heating when power is off, which should be selected according to actual needs.

Warning: the wiring must be correctly connected according to the electrical wiring diagram. Do not put water, mud and other impurities into the thermostat, otherwise it will cause damage to the device!

FEATURES

On Appearance

1. Convenient operation creates convenient life.
2. Touch screen display with backlight is easy to read, even in the dark.
3. Glass frame, showing fashion.
4. Fashion design blends in with any decor.
5. Modular design, more convenient installation.

On Functionality

1. 1°C Accuracy keeps temperature within the level you set.
2. Data memory when power is off.
3. 5+2 six periods programmable maximize comfort and economy.
4. Control thermostat group to centralized control. Integrated with Amazon Echo, Google Home, Tmall Genie.

TECHNICAL DATA

Power Supply: 110-240VAC, 50-60HZ

Current Load: 16A

Sensor: NTC thermistor

Accuracy: $\pm 0.5^{\circ}\text{C}$

Timing Error: <1%

Set Temp. Range: 5~35°C

Display Temp: 0-35°C

Power Consumption: <1W

Buttons: Capacitive Touch Buttons

Screen: negative LCD screen

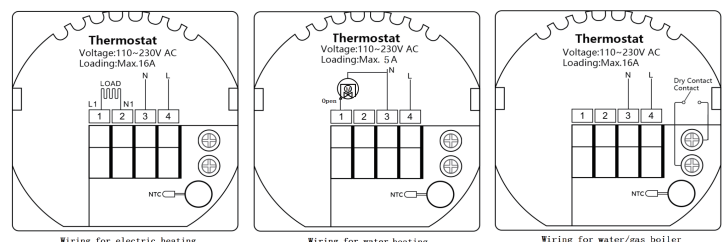
Shell Material: PC+ABS (flame retardant)

Ambient Temp./Humidity: 5~95%RH (non condensing)

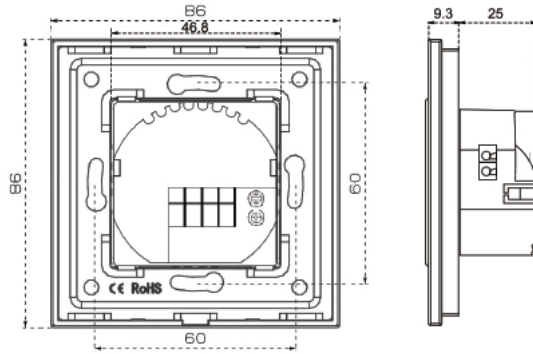
In the box you will find

1. Thermostat 1 pc
2. Screws 2 pcs
3. User Guide 1 pc
4. Floor Sensor 1 pc (Floor sensor is Optional)

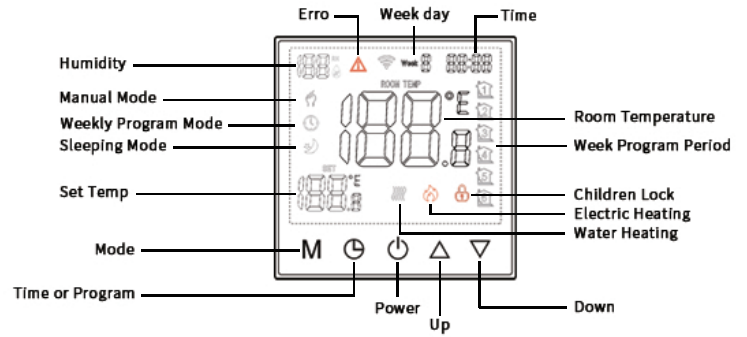
WIRING



DIMENSION(mm)



SHOW DESCRIPTION



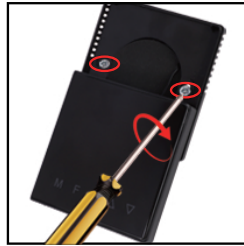
INSTALLATION

Keep power off before installation

Step 1. Remove the panel from the housing by using a screwdriver



Step 2. Mount the device to your flush-mounted box by using the delivered screws.



Step 3. Hook the panel back into the housing and press it until you hear a click and the panel is firmly seated on the housing.



Step 4. Finish mounting and ready for working.



INSTRUCTIONS

1. Power On/off: Press to turn the thermostat on/off.
2. Temperature setting: When power is on, press the " " key to decrease the setting temperature, and press the " " key to increase the setting temperature. The temperature changes by 0.5 °C each time the button is pressed.
3. Locking your Thermostat Press and hold the for 5 seconds to lock/unlock your thermostat.

4. Press to change working mode.
5. Press quickly to change the time. Press and hold on 5 seconds to enter weekly program. You can also use APP to set weekly program.
6. Advanced Options
When power is off, press and hold for 5 seconds, enter the advanced options. Press to change the menu.
7. Hold and press button , to display the temp. of the external probe.

Advanced options table.

Cod e	Function	Range unit	Default value
02	Built in temperature correction	-9~9°C	00
03	External temperature correction	-9~9°C	00
04	Humidity correction	-20~20%	00
05	Start up temperature difference	0.5~5°C	0.5
06	Low temperature protection	5~10°C "..."	"..." off
07	External temperature protection	25~99°C	50
08	Sensor Type	In: Internal Sensor Ou: External Sensor RL: Internal&External Sensor (Internal sensor to control the temp., external sensor to limit the temp.)	In
10	Power down and restart	0-2 00: shut down 01: Power on 02: Memory	02
11	Minimum set point	0~99	05
12	Maximum set point	0~99	50
14	Standby brightness	0~99	15
15	Weekly Pregame on/off	00 off 01 on	00
16	Buttons Lock Option	0: Buttons locked except on/off button at Lock Status 1: All buttons locked include on/off button at Lock Status	0

Alarm code	content
ERR	temperature probe sensor damaged

Wifi connection operation instructions

After power on, the thermostat will be on pairing status (WIFI icon flashing quickly). If not flashing, please press for about 5 seconds.

Install the APP



Figure 1-1



Figure 1-2 IOS/AndroidS

Search for ,Smartlife, in the Apple Store or Google Play or scan the QR code above with a browser (1-2). Complete the registration and installation according to the guidance of the APP.